

# Fluido® Irrigation

Fluid Warming

Adjust the temperature  
to your surgical needs



The Surgical  
Company

PTM

Specialization through Innovation

Inadequately warmed fluids can exacerbate drops in the patient temperature. Hypothermia can be reduced by **warming irrigation fluids**.

The Fluido® Irrigation Fluid Warmer is designed to deliver large volumes of normothermic irrigation fluids at optimum flow rates. It is

suitable for all irrigation applications, from Urology to Gynaecology and Orthopaedics. When using high flow irrigation fluids, normothermic fluid temperature is also guaranteed.

Set up is easy and the system does not require any changes in surgical technique.

The temperature setpoint can be adjusted to your surgical needs, from 30°C up to 39°C. It guarantees the set fluid temperature administered to the patient. A **stable core body temperature** is essential to your patients. It reduces bleeding and will speed up recovery time<sup>1</sup>.

## ADJUST THE TEMPERATURE TO YOUR SURGICAL NEEDS

## Fluido® Irrigation Fluid Warming

The Fluido® Irrigation warms fluids by using infrared technology, a dry and reliable method, preventing risks of waterborne contamination. It rapidly warms to normothermic fluid temperature at high flow rates<sup>2</sup>.

### What you set is what you get!

Based on in line sensors, the Fluido® Irrigation calculates the required energy to safely warm the perfusates. Algorithms compensate for the heat loss in the patient line to ensure accurate heat adjustment.



### Fluido® Irrigation Fluid Warmer

Cardiac Floating

Flow & Volume Indicator

Adjustable temperature  
setpoint 30 - 39°C

### Fluido® Powerlifter II

Adjustable height by pedal control

Lifts up to 30kg

Cordless

# FLUIDO® IRRIGATION PRODUCT RANGE



## Fluido® Irrigation Fluid Warmer | Article number 651230-I

Voltage	220 - 240V~
Frequency	50/60Hz
Current	6A
Max. power	1400VA
Dimensions	435 x 250 x 315mm
Weight	9.5kg
Setpoint temperature	30 - 39°C
Unit of temperature setpoint increase	1°C
Classification (IEC 60601-1)	Class I, Cardiac Floating
Classification (IEC 60529)	IPX1

## Fluido® Powerlifter II | Article number 660100-B

Dimensions	550 x 550 x 1500mm (L x W x H)
Weight	36.5kg
Adjustable height	1500 - 2650mm
Lifting weight	30kg
Classification (IEC 60529)	IPX1

## WHAT YOU SET IS WHAT YOU GET!

### Fluido® Irrigation URO Set | Article number 670800-B

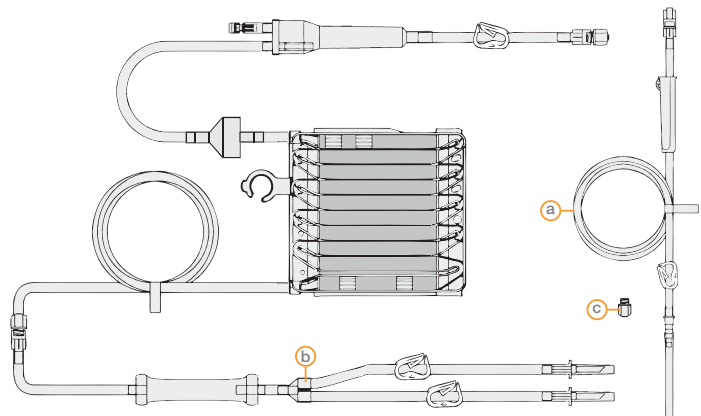
Complete set contains	Ⓐ, Ⓑ and Ⓒ
Max. flow	1400ml/min <sup>3</sup>
Patient line	2000mm
Priming volume	220ml
Pressure	up to 300mmHg

Ⓐ and Ⓑ are also available separately

Ⓐ Fluido® Irrigation URO Patient Line Art. No. 680801-B

Ⓑ Fluido® Irrigation URO Spike Set Art. No. 680803-B

Ⓒ URO Lock bore cap



### Fluido® Irrigation Connectors

Fluido® Irrigation connectors are developed to connect the Fluido® Irrigation URO Set to an irrigation pump.

Fluido® Irrigation Female connector	Art. No. 680910	
Fluido® Irrigation Male connector	Art. No. 680911	
Fluido® Irrigation Catheter connector	Art. No. 680912	
Fluido® Irrigation Funnel connector	Art. No. 680913	
Fluido® Irrigation URO Male connection	Art. No. 680805	

## The Surgical Company PTM - Specialization through Innovation

Our Patient Temperature Management product portfolio is all about offering solutions for patient warming, about keeping patients at a constant healthy body temperature.

The Surgical Company PTM is working with respected medical professionals to accomplish continuous innovation, improve patient outcome and to reduce health care costs. This by providing training, education and economically justified, best-in-class products.

1 M.J. Pit, R.J. Tegelaar and P.L. Venema, Isothermic irrigation during transurethral resection of the prostate: effects on peri-operative hypothermia, blood loss, resection time and patient satisfaction, British Journal of Urology (1996), 78, 99-103

2 Specific flow ranges are mentioned in the specifications of the disposable sets

3 Free flow with 300 mmHg

## Virtual37® Temperature Management Tool

Virtual37 is a Temperature Management Tool. This simulation tool offers an innovative and easy way to understand the impact of the warming balance and the warming decisions taken in surgeries.

The tool has been validated by University Hospital Ghent, Belgium.



**Mistral-Air®**  
Forced Air Warming

**Fluido®**  
Blood and Fluid Warming

**Thermoflect®**  
Heat Reflective Technology

**Fluido® Irrigation**  
Fluid Warming

**Broncoflex®**  
Single-use Bronchoscope

**Sensium®**  
Wireless Vitals Monitoring

Fluido® and Mistral-Air® are registered trademarks of The Surgical Company International B.V.  
Fluido® products are covered by the following European patents: 1313521 and 1446179.  
Mistral-Air® Blankets Plus are covered by the following American patent: 12/342,933.  
Other patents pending.  
Thermoflect® is a registered trademark of Encompass Group, LLC.

The Surgical Company PTM  
Beeldschermweg 6F  
NL-3821 AH Amersfoort  
The Netherlands  
Tel.: +31 33 450 72 50  
[tsc-group.com/ptm](http://tsc-group.com/ptm)



Images shown, may differ from the actual product  
© 2022 The Surgical Company Group  
INT/P036-EN/8-12/22